



This installation note relates to the **Catlink wall insert receiver head Part # CI-IRM0238I**.

The *Catlink* wall insert receiver head accommodates flush wall mount applications.

Designed to click into PDL compatible wall plates this receiver head offers improved reception angle

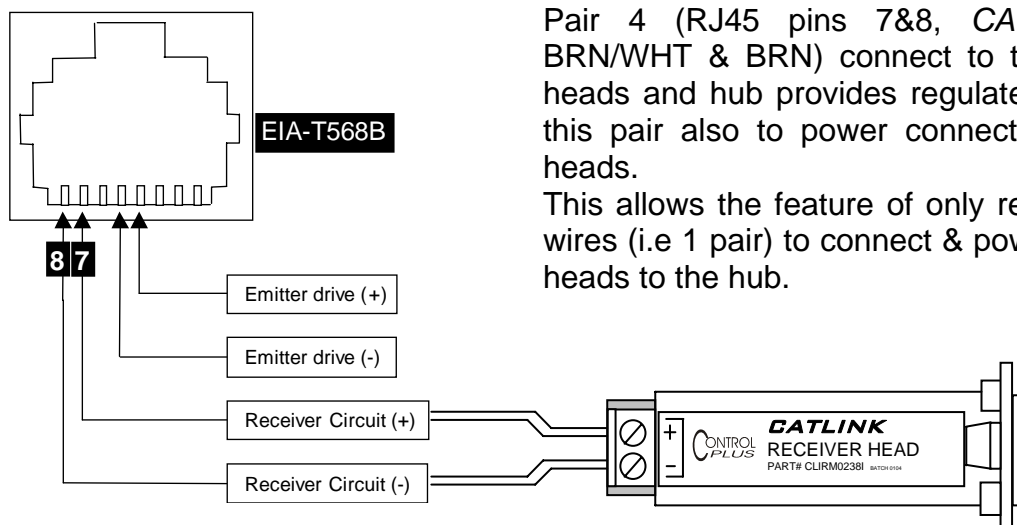
over previous models and excellent operation in bright or sunlit room situations.

The receiver head is equipped with a *talk back* indicator mounted behind the lens at the front and flashes blue when infra-red signals are received.

As this receiver head is intended to mounting into walls, it is equipped with a two contact screw terminal (rather than a cable terminated with a RJ45) for direct cable connection.

The terminals are labelled (+) & (-) and should connect to a distribution hub's *receiver pair circuit* (normally Cat5 pair 4).

Below illustrates the pair (and the polarity) in relation to the RJ45 socket on a *Catlink Distribution Hub*:-



Pair 4 (RJ45 pins 7&8, CAT5 colours BRN/WHT & BRN) connect to the receiver heads and hub provides regulated power to this pair also to power connected receiver heads.

This allows the feature of only requiring two wires (i.e 1 pair) to connect & power receiver heads to the hub.

Up to 6 receiver heads can be parallel connected to a receiver circuit. (The standard Catlink Distribution Hub has 2 receiver circuits so this means up to 12 receiver heads can be supported with one distribution hub).

Although protected from the effects of reverse polarity connection, if one of the receiver heads is reverse connected then all of the receiver heads connected to that distribution hub *port* will not operate. Disconnect receiver heads until the receivers operate to isolate the fault.

For further applications/installation or product information, visit the ControlPlus website
www.controlplus.co.nz